

# Wolff Trigger Conversion Unit For Beretta 92 & 96 Series

Also Taurus PT-92/99 & PT-100/101

US Patent # 6,347,474

**Please Note: Unit will not fit newer Beretta pistols with polymer triggers and newer Taurus pistols due to design changes in these pistols.**

## Installation Instructions

Thank you for purchasing a Wolff Trigger Conversion unit for use in Beretta 92 & 96 series pistols. Installation is simple and requires no modification to the pistol. The units have undergone tens of thousands of rounds of testing without failure and will provide reliable and positive trigger return.

1. Before starting installation, be sure that your pistol is **UNLOADED** and that you are wearing safety eyeglasses. You may wish to have the factory manual available for reference.
2. Remove magazine, grips and slide from pistol.
3. Remove trigger bar spring and trigger bar.
4. Remove slide stop lever and slide stop spring.
5. Push out trigger pin far enough to remove factory trigger spring. Discard factory spring.
6. Reinsert trigger pin *without* factory trigger spring.
7. Reinstall slide stop lever and slide stop spring.
8. Position Wolff Trigger Conversion Unit by holding it in a vertical position by the **Return Pin**. The **Return Pin** should be vertical with the crimped end down and facing the front of the frame. *See Figure 1.*
9. Insert the Trigger Conversion Unit **Cam** between the fingers of the trigger and align holes.
10. Insert trigger bar pin through the upper trigger holes and Conversion Unit **Cam** hole until trigger bar is fully seated in position.
11. Reinstall trigger bar spring.
12. Reinstall grips.
13. Let the **Return Pin** on the Trigger Conversion Unit lay forward and down against the frame.
14. Using a pen, small screwdriver or the like, depress the **Return Pin** until the head of the **Return Pin** drops down and seats in the frame. *See figure 2.*
15. Apply a few drops of light gun oil to Trigger Conversion Unit.
16. Before reinstalling the slide, operate the trigger several times to assure proper functioning of Trigger Return Unit.  
*Note: If unit is installed incorrectly, Return Pin will not seat and pistol will not function.*
17. Reinstall slide and magazine.
18. If you have any questions or need and further assistance, please contact W. C. Wolff Company.



Figure 1

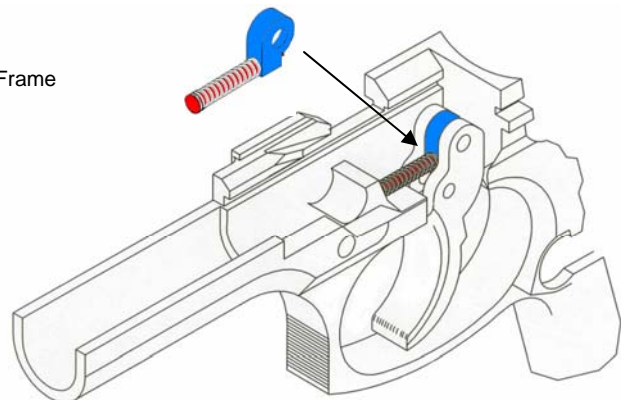


Figure 2

